

Solid White Maple Drawers

*Dovetailed or doweled construction.
Replaces DBS Hard Natural Maple at no increase in costs.*



Our Lowest Cost Solid Wood Option

DBS introduces the White Maple drawer box. These drawer boxes are hand crafted out of select North American Maple. We utilize only choice sapwoods that have less color variation than traditional hard natural maple. Available in three finish options, unfinished, hand finished after assembly, or UV topcoated that has zero VOC's and is the most durable wood finish available.

In addition to the standard maple, drawers are also available in other hardwood species.



Features

- Most economical solid wood choice
- 1/2" & 5/8" thickness options
- All sapwood, for a more uniform color
- Both bullnose and flat top edge available
- 3 Finish Options
 - Unfinished
 - Prefinished with UV Topcoat
 - Finished after assembly
- Domestic plywood bottoms
- All North American materials
- No Added Formaldehyde



File Slots

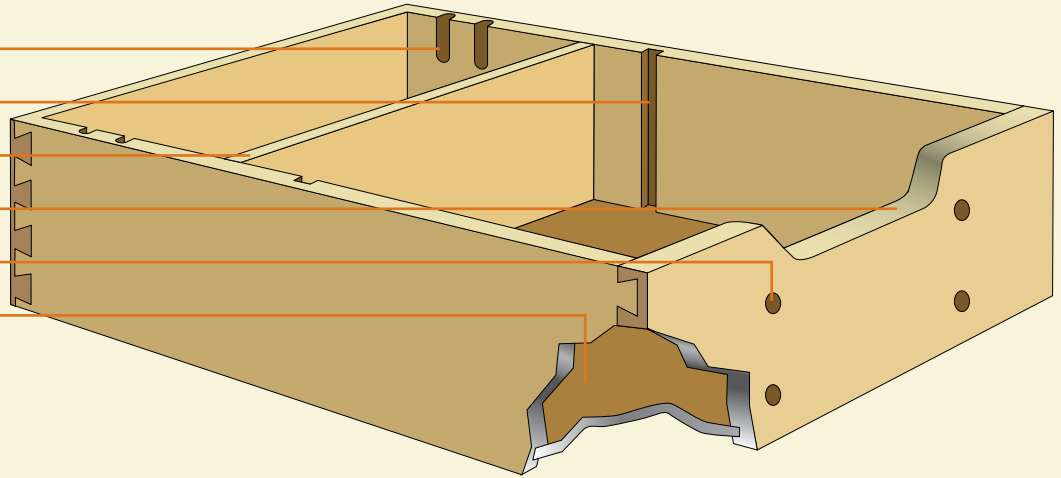
Inside Grooves

Dividers

Scoop

Cut Outs & Boring

Bottom Placement



Specifications and Options

Drawer Side Material

- 1/2" & 5/8" North American White Maple

Drawer Bottom Material

- 1/4" Maple MDF core, optional
- 1/2" ApplePly bottoms

Finish Options

- Unfinished
- Prefinished with UV cured epoxy acrylate topcoat
- Finished after assembly using hand sprayed lacquer

Alternate Species

Birch, Cherry, White Oak, Red Oak, Aromatic Cedar, Alder, Pine, Beech, Bamboo, Mahogany

Assembly Options

- Assembled: Drawer bottoms are pin nailed and hot melt glued after assembly
- Knock-Down: With or without bottoms

Bottom Construction

- Let in 4 sides
- Let in 3 sides
- Let in 2 sides
- Bottom Mount

Corner Constructions

- Dovetail: Minimum height 2," maximum height 15," in whole or half inch increments, or a setup charge may apply.
- Dowel: Custom heights +/- 1/8," minimum height 2," maximum height 28," 6mm wooden dowels, glued

Files: Slots and/or Bars

- Lateral
- Letter
- Standard
- Legal
- Both

Dividers

- Removable or Permanent
- Dadoes or nailed
- 1/8," 1/4," 3/4" thickness

Grooves/Kerfs

- Horizontal
- Vertical

Drilling

- For application of faces and hardware

Scoop

- Six standard options as well as any custom scoop

Notching, Drilling and Locking Devices

- To facilitate different types of undermount guides

Pull Outs

- Graduated sides
- Integrated Lipped Faces, 3/4" solid maple face. Lip can be any dimension 1/8" or greater. Front corners are dovetailed or nailed and back corners can be any of available options.

Corner Drawers and Angle Drawers

- Custom options available