

# Premium Solid White Maple Drawers



## A Drawer Box Worthy of Your Craftsmanship

*In addition to  
premium maple,  
drawers are available  
in all domestic and most  
imported wood species.*



Your premium quality cabinetry or case goods deserve a drawer box of equal quality. DBS Premium White Maple drawer boxes meet the benchmark your craftsmanship demands. Each drawer box is hand-crafted of select North American Maple that has been graded for color uniformity and blemish-free appearance. We utilize only choice sap woods in wider widths to produce drawer sides with minimal glue-ups. Drawer bottoms are cut from select Maple plywood and are available in your choice of 1/4," 3/8" or 1/2." Constructed with precision-cut English dovetails or doweled joinery, these drawers not only look good, but are built to last.

Each of these boxes is Forest Stewardship Council certified and contributes to LEED criteria for adhesives and interior finishes. Our UV pre-finish drawer boxes are the most durable wood finish system available and benefit the environment by emitting no volatile organic compounds.

### Features

- **Dovetailed or Doweled construction**
- **Select Furniture Grade, top of the line material**
- **Now available in 5/8" as well as 1/2" thickness**
- **Uniform color**
  - No Knots
  - No Blems
  - No glue-ups on drawers <8" high
- **Bullnose or flat top edge**
- **Standard 1/4" bottom; 3/8" and 1/2" options also available**
- **3 Finish Options**
  - Unfinished
  - Prefinished with UV Topcoat
  - Finished after assembly
- **All North American materials**
- **No Added Formaldehyde**



File Slots

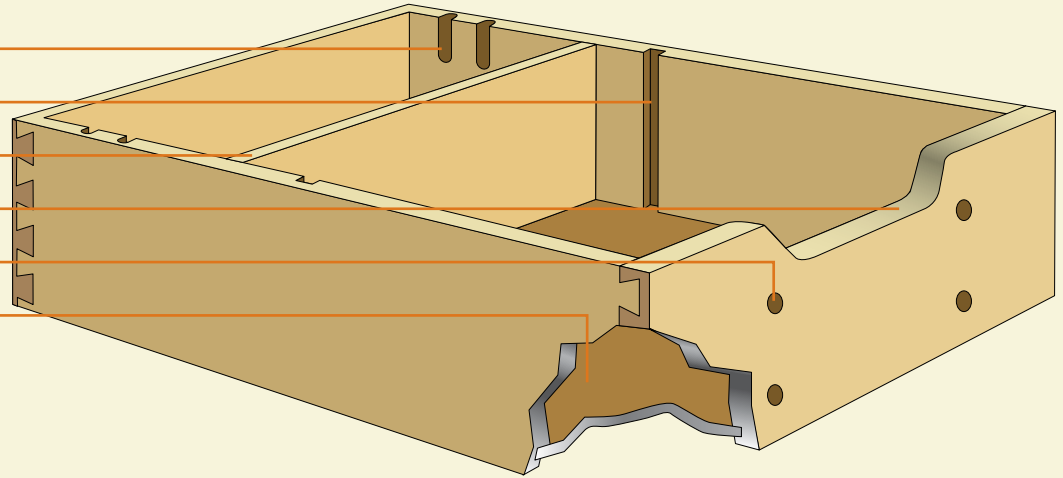
Inside Grooves

Dividers

Scoop

Cut Outs & Boring

Bottom Placement



## Specifications and Options

### Drawer Side Material

- 1/2" or 5/8" North American White Maple, hand-selected for uniform color. Knot and blemish free, with no glue-ups on drawers 8" or less in height. FSC Certified.

### Drawer Bottom Material

- 1/4" Maple MDF core, optional 3/8" MDF or 1/2" ApplePly bottoms, FSC and NAUF

### Finish Options

- Unfinished
- Prefinished with UV cured epoxy acrylate topcoat
- Finished after assembly using hand sprayed lacquer

### Alternate Species\*

- Birch, Cherry, White Oak, Red Oak, Aromatic Cedar, Alder, Pine, Beech, Bamboo, Mahogany
- \*FSC Certification limited

### Assembly Options

- Assembled: Drawer bottoms are pin nailed and hot melt glued after assembly
- Knock-down: With or without bottoms

### Bottom Construction

- Let in 4 sides
- Let in 3 sides
- Let in 2 sides
- Bottom Mount

### Corner Constructions

- **Dovetail:** Minimum height 2," maximum height 15," in whole or half inch increments, or a setup charge may apply
- **Dowel:** Custom heights +/- 1/8," minimum height 2," maximum height 28," 6mm wooden dowels, glued

### Files: Slots and/or Bars

- Lateral
- Letter
- Standard
- Legal
- Both

### Dividers

- Removable or Permanent
- Dadoes or nailed
- 1/8," 1/4," 3/4" thickness

### Grooves/Kerfs

- Horizontal
- Vertical

### Drilling

- For application of faces and hardware

### Scoop

- Six standard options, as well as any custom scoop

### Notching, Drilling and Locking Devices

- To facilitate different types of undermount guides

### Pull Outs

- Graduated sides
- Integrated lipped faces, 3/4" solid maple face. Lip can be any dimension, 1/8" or greater. Front corners are dovetailed or nailed and back corners can be any of the available options.

### Corner Drawers and Angle Drawers

- Custom options available