

We Do
Drawers.
IT'S WHAT WE DO.

**Get Your Custom
Drawer Box
in 5 Days**



When you've been building drawer boxes, and only drawer boxes, for nearly 30 years, you learn a few things. If you're smart, the first thing you learn is to listen to your customer. As a custom drawer box manufacturer, our job isn't to tell our customers what they should buy. Our job is to make exactly what our customers want. Here are some of the many options to consider when ordering your custom drawers:

Material Options

At DBS we have more than 50 material types in stock for immediate delivery for you to choose from when you plan your project. In fact, we stock more types of melamine than most folks offer in their entire material selection.

Drawer Height

We do not limit your design to specific drawer sizes. No matter what custom dimensions you specify, we'll work closely with you to build the size to your specifications. And, we'll do it in our standard 5-day lead time at no additional charge.

Bottom Thickness

All of our drawer boxes are available with 1/4", 3/8", or 1/2" drawer bottoms or drawer bottoms reinforced with support strips. Regardless of which option you choose, your order will be completed within our standard 5-day lead time.

Construction

You decide what type of drawer construction you want and we make it exactly the way you want it. Dovetail, doweled, butt-joint, or French dovetails are all possibilities.

File Slots

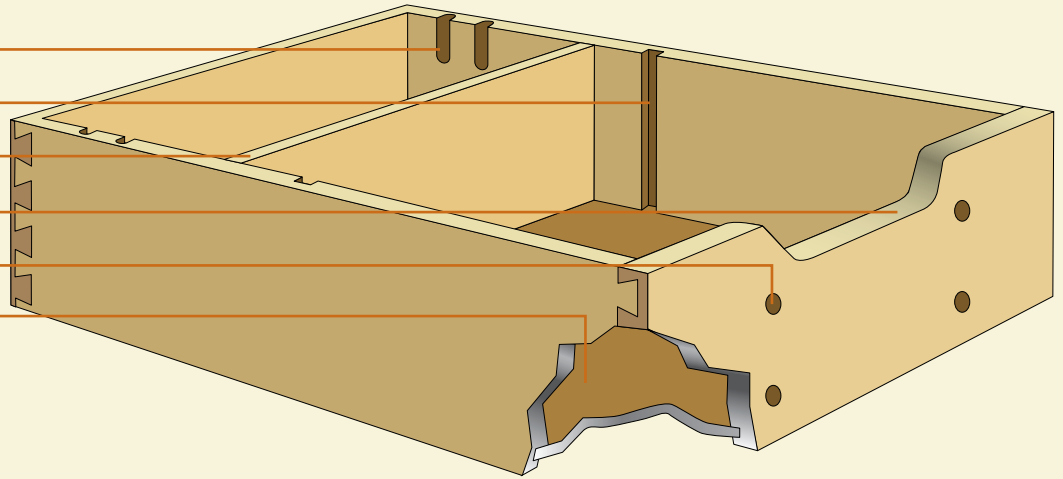
Inside Grooves

Dividers

Scoop

Cut Outs & Boring

Bottom Placement



Materials and Options

Side Material Options

- **Melamine:** White, Black, Almond, Hard Rock Maple, Anigre Maple, Fusion Maple, Custom Grey, Formaldehyde-Free White. Other Melamine colors available upon request. 1/2", 5/8", 3/4"
- **Baltic Birch:** UV Pre-finished, Unfinished. 12mm, 15mm, 18mm
- **ApplePly:** 1/2" Maple in NovaMax UV Pre-finished or Unfinished. Also available in Walnut, Mahogany, Red Oak, White Oak and Cherry.
- **Premium White Maple:** UV Pre-finished, Unfinished, Finished after assembly. 1/2", 5/8"
- **White Maple:** UV Pre-finished, Unfinished, Finished after assembly. 1/2", 5/8"
- **Solid Woods:** Cherry, Walnut, Alder, Oak (White or Red), Aromatic Cedar, Birch (White, Natural or Paint Grade), Mahogany, Beech, Pine (Clear or #2), Bamboo. Other solid woods available upon request. 1/2", 5/8"

Bottom Material Options

- **MDF:** 1/4", 1/2"
- **Maple Ply:** Pre-finished, Unfinished. 1/4", 3/8", 1/2"
- **Birch Ply:** Pre-finished, Unfinished. 5.2mm, 12mm, 15mm
- **Eurofoil:** Black, White. 1/4"
- **Melamine:** Almond, Black, White, Hard Rock Maple: 1/4", 1/2", 5/8", 3/4"
Antique White, Formaldehyde-Free White, Anigre Maple, Custom Grey, Fog Grey: 1/4", 1/2"
- **Unfinished Plys:** Cherry, Walnut, Alder, Oak (White or Red), Aromatic Cedar, Birch (White or Natural), Mahogany, Beech, Pine (Clear or #2), Bamboo. Other bottom materials available upon request. 1/4", 3/8", 1/2"

Learn more at DBSdrawers.com

Assembly Options

- **Assembled:** Drawer bottoms are pin nailed and hot melted after assembly
- **Knock Down:** With or without bottoms

Corner Construction

- **Dovetail:** Minimum height 2." Maximum height 15"; in whole and half inch increments or a set up may apply.
- **Dowel:** Minimum height 2." Maximum height 28." Custom heights $\pm 1/8$ "; wooden 6mm dowels, glued.
- **Butt Joint:** Minimum height 1." Open maximum height, custom heights $\pm 1/8$ "; rabbeted, glued and nailed. Hot melt extra.
- **French Dovetail:** Minimum height 1 1/2." Maximum height, 10"

Bottom Construction

- Let in 4 sides
- Let in 3 sides
- Let in 2 sides
- Bottom mount

File Slots and/or Bars

- Lateral
- Legal
- Letter
- Both

Dividers

- Removable or permanent
- Dadoes or nailed
- 1/4", 1/2", 3/4" thickness

Grooves/Kerfs

- Horizontal
- Vertical

Drilling

- For application of faces and hardware

Scoop

- 8 standard options as well as any custom scoop

Notching, Drilling & Locking Devices

- To facilitate different types of undermount guides

Pull Outs

- Four Slope Style options available
- **Integrated Lipped Faces:** Lip can be any dimension from 1/8" up. Front corners are dovetailed or nailed and the back corners can be any of our available options.

Corner Drawers/Angle Drawers

- Many options available. Contact your customer service representative.